



# ANIL NEERUKONDA INSTITUTE OF TECHNOLOGY & SCIENCES

(Permanently Affiliated to AU, Approved by AICTE & Accredited by NBA)

Sangivalasa-531162, Bheemunipatnam Mandal, Visakhapatnam Dt.

Phone: 08933- 225084.226395

## DEPARTMENT OF ELECTRONICS AND COMMUNICATION ENGINEERING

### DEPARTMENT QUARTERLY NEWS LETTER

[MARCH 2020 - JUNE 2020]



#### TWO DAYS ONLINE WORKSHOP ON “EMBEDDED SYSTEM DESIGN ON 8-BIT MICROCONTROLLER USING KEIL (IDE)”

Two days online Workshop on “EMBEDDED SYSTEM DESIGN on 8-bit MICROCONTROLLER USING KEIL (IDE)” was organized by the department of Electronics and Communication Engineering (ECE) for the Students and faculties from various colleges across the country. Mr.N.Ramkumar, Assistant Professor/ECE, ANITS acted as a resource person for both the days (29.05.2020 & 30.05.2020). About 291 members registered out of which 128 members were participated and gained hands-on experience on Microcontroller and Embedded C Programming using KEIL (IDE). The program was conducted through GoTo meeting online platform.

#### NATIONAL LEVEL 5-DAY TECHNICAL E-QUIZ SERIES

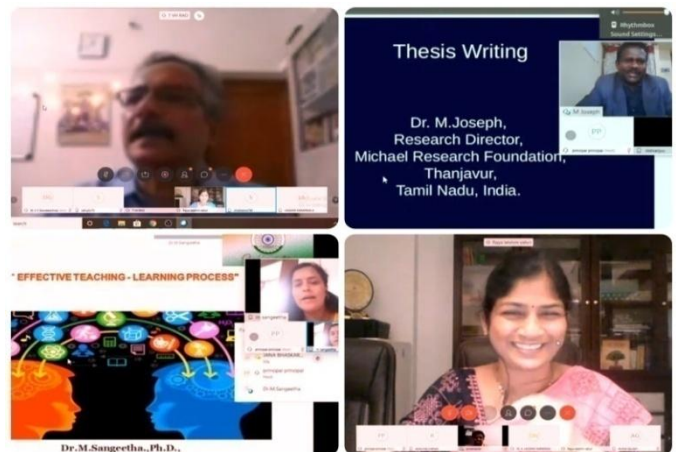
A Five Day E-Quiz series from 10th to 14th June, 2020 organized by Department of Electronics & Communication Engineering, ANITS for the faculty and research scholars from various colleges across the country. The main objective of this program is to create an awareness on various technical simulation tools by giving few simulation based questions in each subject. The scope of this online E-Quiz series is to enhance the knowledge on technical tools which are using highly involved in providing outcome based education. Among five days, first four days we have concentrated on technical subjects and on fifth day we

have conducted quiz on Outcome Based Education & NBA Accreditation. Attempted: 2160 & Qualified: 459.

#### INDUSTRY INSTITUTE INTERACTION INDUSTRIAL TRAINING

211 Students of ECE had undergone training during May 2020 in the following Companies.

TEKBLIZZ [16], IIRS-ISRO [122], COURSERA [70], SKILLUP ON AI [2] & ELEMENTS OF AI [1]



#### A FIVE DAY NATIONAL LEVEL ONLINE FACULTY DEVELOPMENT PROGRAM ON “SKILL DEVELOPMENT FOR EFFECTIVE RESEARCH AND TEACHING - LEARNING PROCESS”

A Five Day National Level Online Faculty Development Program is arranged for the benefit of faculty on “Skill Development for Effective Research and Teaching - Learning Process” is organized by the department of ECE from 8<sup>th</sup> to 12<sup>th</sup> June, 2020 for the faculties from various colleges across the country. The main objective of this program is to provide an exposure of Research and advanced Teaching – Learning platforms. The scope of this online Faculty development program covers Latex, Thesis writing, Research Proposal & IPR, Innovative Teaching-Learning and Evaluation process. 2552 Participants registered out of which 756 Participants Attended.



**A THREE DAY NATIONAL LEVEL ONLINE FACULTY DEVELOPMENT PROGRAM ON "IMAGE PROCESSING AND COMPUTER VISION (IPCV)"**

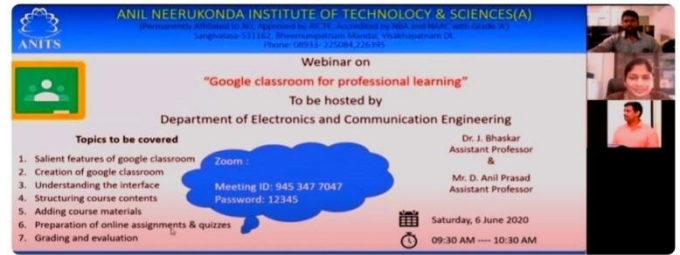
A Three Day National Level Online Faculty Development Program is arranged for the benefit of faculty on "Image Processing and Computer Vision (IPCV)" is organized by the department of ECE from 29th to 31st May 2020 for the faculties from various colleges across the country. The main objective of this program is to provide an exposure of image processing in real time problems. 646 Participants registered out of which 228 Participants Attended.



**A FIVE DAY NATIONAL LEVEL ONLINE FACULTY DEVELOPMENT PROGRAM ON "OPPORTUNITIES AND CHALLENGES IN NEXT-GENERATION SEMICONDUCTOR DEVICES"**

A Five Day National Level Online Faculty Development Program on "Opportunities and Challenges in Next-Generation Semiconductor Devices" from 16th to 20th June 2020 organized by Department of ECE, ANITS for the M.Tech/PhD students and faculties from various colleges across the country. The main objective of this program is to provide an exposure of advanced semiconductor devices for next generation electronics. It covers the whole value chain of silicon devices, technology, hetero structure devices, and power devices

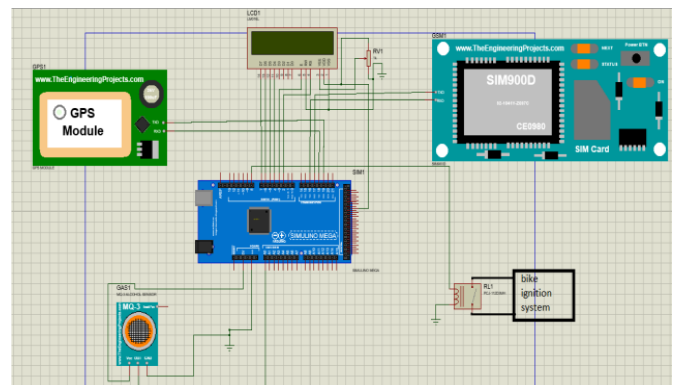
as well as their production. 1210 Participants registered out of which 522 Participants Attended.



**A WEBINAR ON GOOGLE CLASSROOM FOR PROFESSIONAL LEARNING**

A webinar on "Google Classroom for professional Learning" is organized by the department of ECE on 6<sup>th</sup> June 2020. The webinar aims to assist the faculty in managing online classes for the students. Prof. V.RajyaLakshmi, HOD, department of ECE has taken initiative in organizing webinar on "Google Classroom for professional Learning" as online classes have become the norm during COVID-19 and to some extent replicate our physical classrooms and provide an enriching teaching and learning experience. This programme is designed to provide the participants with the necessary skills in managing online classes using google classroom. 33 Faculty Participated.

**PATENT FILED**



Patent filed for the invention titled "METHOD AND SYSTEM FOR AVOIDANCE OF ACCIDENTS" by Dr.V.Rajyalakshmi, HOD,ECE.Mr.B.ChandraMouli, Asst. Porof. & Ch. Sai Kishore Student on July 13, 2020.



## FACULTY ACHIEVEMENTS

1. Dr.V.Rajyalakshmi, HOD, ECE has been awarded as “Outstanding Woman in Engineering” for the contribution and achievement in the field of Electronics and Communications in 5<sup>TH</sup> VENUS INTERNATIONAL WOMEN AWARDS - VIWA 2020 by the Centre for Advanced Research and Design (CARD) of Venus International Foundation (VIF), Chennai on 7th March 2020.
2. Dr.V.Rajyalakshmi, HOD, ECE, Being Joint Research Director, **Guided Ramesh Manikonda successfully for his award of Ph.D degree** on thesis entitled “Investigations on Performance Characteristics of Textile Antennas using Electromagnetic Band Gap Structures (EBG) and Defected Ground Structures (DGS) for Wearable Applications” by Andhra University in July 2020.
 
3. Dr.A.LakshmiNarayana Asst., Prof., ECE had awarded “Excellence Young Scientist Award” for hard work and commitment to the profession by the SPNS Technologies, Guntur and Novel Patent Services, Visakhapatnam on 29th March 2020.
4. Mr.J.BhaskaraRao, Asst., Prof., ECE had awarded with Ph.D for his thesis work titled “Non- Contact Methods for Surface Roughness Measurement for Quality Estimation Using Image Processing Techniques” under the supervision of Dr.J.B.Seventline, from Department of Electronics and Communication Engineering, from GITAM(Deemed to be University) on 14<sup>th</sup> March 2020.
5. Mr.P.DeviPradeep, Asst.Prof., ECE has given webinar on “Memory elements in digital computers” in Er.Perumal Manimekalai College of Engineering on 17-05-2020.
6. Mr.B.Jena, Ass.Prof., ECE an author for book chapter titled “Nature-Inspired Optimization Algorithm and Benchmark Functions: A Literature Survey” in a book titled “Computational Intelligence: Theoretical Advances/Advanced Applications” Walter de Gruyter publications in May 2020.
7. Dr.P.Murugapandiyam, Assoc.Prof., Dr.V.Rajyalakshmi, Prof., HOD and Mr.N.Ramkumar, Asst.Prof., ECE published a book chapter titled “GaN-Based High-Electron Mobility Transistors for High-Power and High-Frequency Application: A Review” in “Innovations in Electronics and Communication Engineering” a Lecture Notes in Networks and Systems, volume 107, Springer, Singapore. DOI: [https://doi.org/10.1007/978-981-15-3172-9\\_33](https://doi.org/10.1007/978-981-15-3172-9_33). Print ISBN 978-981-15-3171-2. Online ISBN:978-981-15-3172-9, April 2020.
8. Dr.B.Somasekhar, Assoc.Prof., ECE is an author for a book titled “Suboptimal Energy-Efficient Resource-Allocation to Maximize Energy Efficiency in OFDM System” LAMBERT Publications on April, 2020. ISBN:978-620-2-51338-8.
9. Dr.B.Somasekhar, Assoc.Prof., ECE Published a book titled "Investigations on MIMO-OFDM wireless communication system (Performance Analysis on PAPR reduction and Interference Mitigation)" LAMBERT Publications on April, 2020.
10. Dr.P.Murugapandiyam, Assoc.Prof and Mr.N.Ramkumar, Asst.Prof., ECE Acted as Resource person and organized a Two days online Workshop on “EMBEDDED SYSTEM DESIGN on 8-bit MICROCONTROLLER USING KEIL (IDE)” at Anil Neerukonda Institute of Technology & Sciences, Visakhapatnam from 29.05.2020 & 30.05.2020.
11. Mr.D.Anil Prasad, Asst.Prof. ECE Given webinar on "Google Classroom for professional Learning" hosted by Department of ECE, ANITS, 06th June 2020.
12. Dr.S.Srinivas, Associate Professor, ECE Given webinar on "Current Research Trends in VLSI" hosted by VIET, Narava, 5th June 2020.
13. Mr.D.Anil Prasad, Asst.Prof. ECE Given webinar on "Tinkercad for Designing circuits using Arduino" hosted by Department of Mechatronics Engineering, SNS College of Technology (A), Chennai, 24th June 2020.
14. Dr.P.Murugapandiyam, Assoc.Prof., Delivered a Lecture on "Advanced III-Nitride high electron mobility transistors (HEMTs) for 5G and beyond; Introduction to TCAD simulation of III-N-based heterostructure devices" for A Five Day Online National Level Faculty Development Program On “Opportunities and Challenges in Next-Generation Semiconductor Devices, 18th June 2020.
15. Dr.P.Murugapandiyam, Assoc.Prof and Mr.N.Ramkumar, Asst.Prof., ECE organized A Five Day Online National Level Faculty Development Program On “Opportunities and Challenges in Next-Generation Semiconductor Devices” at Anil Neerukonda Institute of Technology & Sciences, Visakhapatnam 16.06.2020 to 20.06.2020.
16. Mr.N.Ramkumar, Asst.Prof., ECE Organized MHRD Impact Series Webinar on “Entrepreneur's Journey in CyberSecurity” held by ANITS - IIC , Anil Neerukonda Institute of Technology and Sciences, Visakhapatnam on 27<sup>th</sup> June 2020.

17. Dr.A.LakshmiNarayana, Asst.Prof., ECE Organized A Five Day National Level Online Faculty Development Program is arranged for the benefit of faculty on "Skill Development for Effective Research and Teaching - Learning Process" is organized by the department of ECE from 8th to 12th June, 2020.
  18. Ms.V.Shireesha, Asst.Prof, ECE qualified UGC NET-2019 (Assistant Professor) Examinations in June 2019.
  19. Dr.D.EswarchaitanyaAsst.Prof.,ECE has been reviewer for the article titled "Pedestrian Localisation in the typical Indoor Environments" for International Journal of Communication Systems in June 2019.
  20. Mr.J.BhaskaraRaoAsst.Prof., Dept. of ECE had selected as a technical program committee member for International Conference on Communication Systems and Network Technologies (CSNT-2020) is organized by IEEE MP Sub Section and MIR Labs, Gwalior.
  21. Mr.J.BhaskaraRaoAsst.Prof., Dept. of ECE had selected as a National Advisory Member for the International Conference on Advances in Science, Engineering and Technology (ICASET-2020), which is scheduled to take place on the 26th and 27th of June, 2020, Bangalore.
  22. Mr.J.BhaskaraRaoAsst.Prof., Dept. of ECE had selected as a technical program committee member for 3rd International Conference on Computer Applications & Information Security (ICCAIS-2020) will be organized at Fiduciam Global Riyadh,Saudi Arabia.
  23. Dr.B.Somasekhar, Assoc.Prof., ECE has reviewed the paper " Channel Estimation Using Approximate Conjugate Gradient Pursuit for Hybrid MIMO System in Millimeter Wave Communication" for (INDISCON-2020) in May 2020.
1. Mr.J.BhaskaraRaoAsst.Prof ECE has participated Two day national Conference titled "**Innovative Mechanisms & Standards for Assuring Quality in HEIs- IAQHEI 2020**" organized by KL University, Gutur during 6<sup>th</sup> – 7<sup>th</sup> March 2020.
  2. Faculty of ECE Dept. attended 14 Workshop's During Lock Down Period. [22<sup>nd</sup> March to 30<sup>th</sup> June 2020]

#### **FACULTY PAPER PUBLICATIONS IN JOURNALS**

1. Dr.P.Murugapandiyam, Assoc.Prof, ECE published a paper titled "**FPGA implementation of low power 16x16 bit Vedic Multiplier**" in an International Journal of Future Generation Communication and Networking, Vol. 13, No. 3, (2020), pp. 3982–3989, ISSN: 2233-7857 IJFGCN, May 2020.
2. Dr.B.Somasekhar, Assoc..Prof.,ECE, Mr.Nitin Kumar, Asst.Prof., ECE, Mr.Ch.Sai Kishore and Ms.APrathyusha has published a paper titled "**Suboptimal Energy- Efficient Resource-Allocation to Maximize Energy Efficiency in OFDM systems**" in international Journal of Management, Technology and Engineering, Vol.10, Issue 3 March 2020.
3. Dr.P.Murugapandiyam, Assoc.Prof, ECE published a paper titled "**Switching Transient Analysis and Characterization of an E-Mode B-Doped GaN-Capped AlGaN DH-HEMT with a Freewheeling Schottky Barrier Diode (SBD)**" in an International Journal of Electronic Materials, DOI: 10.1007\_s11664-020-08113-x, ISSN 0361-5235, April 2020. (Springer).
4. Dr.P.Murugapandiyam, Assoc.Prof. and Dr.V.Rajyalakshmi, Prof., HOD ECE published a paper titled "**Performance analysis of HfO<sub>2</sub>/InAlN/AlN/GaN HEMT with AlN buffer layer for high power microwave applications**" in an International Journal of Science: Advanced Materials and Devices, ELSEVIER, (Web of Science, SCIE, Scopus indexed), <https://doi.org/10.1016/j.jsamd.2020.04.007> , April 2020.
5. Dr.P.Murugapandiyam, Assoc.Prof, ECE published a paper titled "**Design and development of cross dipole antenna for satellite applications**" in an International Journal of De Gruyter publishes, DOI: <https://doi.org/10.1515/freq-2019-0066> , ISSN 2191-6349, May 2020.
6. Mr.B.JenaAsst.Prof., ECE published a paper titled "**A differential evolutionary adaptive Harris hawks optimization for two dimensional practical Masi entropy-based multilevel image thresholding**" in an international journal of King Sau University-Computer

#### **MOOC's COURSES DONE BY FACULTY**

Faculty of ECE Dept. Completed 106 MOOCs's Courses During Lock Down Period. [22<sup>nd</sup>March to 30<sup>th</sup> June 2020].

#### **WEBINAR's ATTENDED BY FACULTY**

Faculty of ECE Dept. attended 177 Webinar's During Lock Down Period. [22<sup>nd</sup>March to 30<sup>th</sup> June 2020].

#### **QUIZ's ATTENDED BY FACULTY**

Faculty of ECE Dept. attended 171 Quiz's During Lock Down Period. [22<sup>nd</sup>March to 30<sup>th</sup> June 2020].

#### **WORKSHOP's/SEMINAR's ATTENDED BY FACULTY**

- and Information Society (ELSEVIER), Vol: 95, May 2020.
7. Dr. S. Srinivas, Assoc. Prof., ECE published a paper titled **“Gate-Induced Drain Leakage: A Brief Survey on Effects Applications and modelling”** in an international Journal of Test, engineering and Management (TEST), Vol:83, PP:2303-2315, ISSN:0193-4120, May 2020. (SCOPUS).
  8. Dr. G. Manmadha Rao, Assoc., Prof., ECE and Ms. Ch. Anousha, Asst. Prof., ECE published a paper titled **“Performance Evaluation of Non-Uniform PRI Costas Signal Using Optimization Algorithms”** in an international Journal of Test, engineering and Management (TEST), Vol:83, PP:17740-17746, ISSN:0193-4120, May 2020. (SCOPUS).
  9. Dr. G. Manmadha Rao, Assoc. Prof., ECE has published a paper titled **“Implementation of GOA to Non-Uniform PRI of SFPT for improving Resolution in Radar”** in an International Journal of Innovative Technology and Exploring Engineering (IJITEE), ISSN: 2278-3075, Volume-9 Issue-8, PP:936-943, DOI: 10.35940/ijitee.H6704.069820, June 2020.
  10. Ms. B. Deepa, Asst. Prof., ECE publishes a paper titled **“Near Field UHF RFID Antenna using Dual-Log Periodic Array”** in an International Journal on Emerging Technologies (ISSN NO. (Print): 0975-8364, (Online): 2249-3255, Vol:11, Issue:4, PP:123-129, June 2020.
- analytical and experimental modal analysis , Volume 12, Issue 5, ISSN: 0886-9367, May 2020.
5. Mr. G. V. Raviteja, Asst. Prof., ECE, Mr. T. Sarat, Mr. M. Vinetthra Naidu, Mr. S. Bala Vikas and Mr. M. Sudheer IV/IV ECE-B has published a paper titled **“A CPW - Fed Microstrip Monopole Antenna Employing Inverted Quad L Shaped Stubs with Symmetrical Slotted Rectangular Ring Ground Planes for GPS/PCS/UMTS and UWB Applications”** in an International Journal EJERS, European Journal of Engineering Research and Science, Vol. 5, No. 3, Pages : 301-303, March 2020, DOI: <http://dx.doi.org/10.24018/ejers.2020.5.3.1825>.
  6. Mr. G. V. Raviteja, Asst. Prof., ECE, Mr. B. T. V. Madhan, Ms. M. Kshetra Sree, Mr. N. Avinash, and Mr. P. R. S. Naga Surya IV/IV ECE-B has published a paper titled **“Gain and Bandwidth Considerations for Microstrip Patch Antenna Employing U and Quad L shaped Slots with DGS and Parasitic Elements for WiMax / WiFi Applications”** in an International Journal EJERS, European Journal of Engineering Research and Science, Vol. 5, No. 3, Pages : 327-330, March 2020, DOI: <http://dx.doi.org/10.24018/ejers.2020.5.3.1834>.
  7. Ms. P. S. M. Veena, Asst. Prof., Mr. S. Navven Kumar, Ms. G. Vasanthi, Ms. P. Tirumala, Mr. B. Leela Madhav IV/IV ECE has published a paper titled **“Implementation of 8-Bit RISC Processor”** in an International Journal of Information and Computational Science , Volume 10, Issue 4, PP:502-509, ISSN: 1548-7741, April 2020.

#### FACULTY & STUDENT JOINT PAPER PUBLICATIONS

1. Dr. V. Rajyalakshmi, HOD, ECE, D Samyuktha, G Santosh Kumar, P Sai Kausthub and P Likitha IV/IV ECE has published a paper titled **“Eye ball movement based wheel chair using Raspberrypi”** in Journal of Emerging technologies and Innovative research, Volume 7, Issue 4, ISSN 2349-5162, April 2020.
2. Dr. B. Soma Sekhar, Asso., Prof., G Rohita, A Tarun Kumar, B Bhaskar, B Prudhvi of IV/IV ECE has published a paper titled **“A unified approach of augmenting the life time of cooperative wireless sensor networks”** in TEST Engineering & Management magazine ISSN:0193-4120 page No 3672-3680, March-April 2020
3. Dr A Lakshmi Narayana, Asst. Prof., ECE, G Lalitha, BS L Akhil, AVS Mouli, M Ramalingiah of IV/IV ECE have published a paper titled **“Improvement of FBMC over OFDM system in terms of PSD and BER”** in TEST Engineering & Management magazine ISSN: 0193-4120 Page No. 8434 – 8439, May – June 2020.
4. Dr A Lakshmi Narayana, Asst. Prof., ECE, Y Sravya, B B Jagadeesh, M Manasa, J Ashok kumar **“Comparative analysis of UFMC and OFDM for 5G communications”** in International Journal of
8. Mr. D. Anil Prasad, Asst. Prof., Mr. K. Sai Kalyan and Mr. L. Vamsi Krishna IV/IV ECE has published a paper titled **“Study Of Filter Performance In Removal Of Noise From Digital Images”** in an international journal of Mukta Shabd, Volume IX, Issue IV, ISSN NO : 2347-3150, PP: 2915-2927, April 2020.
9. Dr. S. Srinivas, Assoc. Prof., Dr. J. Bhaskara Rao, Asst. Prof., Ms. R. Roopa Devi, Ms. K. Y. Sujitha, Ms. Y. Gayatri and Mr. M. Naveen IV/IV ECE has published a paper titled **“Glucose Monitoring System Using NODE MCU”** in an international journal of Mukta Shabd, Volume IX, Issue IV, ISSN NO : 2347-3150, PP: 2933-2942, April 2020.
10. Dr. S. Srinivas, Assoc. Prof., R. Saimani, MVS Nikhila, G Yaswanth, M Sai Kiran, D V S N Krishna of IV/IV ECE has published a paper titled **“Implementation of CORDIC based k means clustering using MATLAB”** in Journal of Alochana Chakra, Volume 9, Issue 4, ISSN: 2231-3990, May 2020.
11. Dr. S. Srinivas, Assoc. Prof., G Harikrishna, N Tejaswini, S Supriya, U V Sateeshvarma of IV/IV ECE has published a paper titled **“Continuous glucose processing and alerting system”** in Journal of

- JuniKhyat , ISSN 2278-4632 Volume 10 Issue 5 v May 2020.
12. Ms.G.Gayatri, Asst.Prof., Ms.S.Sowjanya, Mr.Sk.Yaseen, Ms.V.Meghana and Mr.T.Pavan IV/IV ECE has published a paper titled **“Tracking of Dementia patients using GPS & LORA WiFi”** in an international journal of Information and Computational Sciences, Volume 10, Issue 4, ISSN NO : 1548-7741, PP:, April 2020.
  13. Ms.Ch.PadmasreeAsst.Prof., Ms.N.Greeshma, Ms.N.Neeharika, Ms.Ch.Aparanjitha and Mr.Sarat Kumar IV/IV ECE-A has published a paper titled **“Extraction Of Attributes From Indian Currency To Detect Counterfeit Notes Through Digital Image Processing”** in an International journal of analytical and experimental modal analysis, Volume:XII, Issue:V, PP:41-45, ISSN NO:0886-9367, May 2020.
  14. Ms.Ch.PadmasreeAsst.Prof., Mr.K.Sai Naveen, Mr.J.S.Sampreeth, Mr.D.Pavan and Mr.VS.Ashlesh Kumar IV/IV ECE-B has published a paper titled **“REAL TIME OBJECT DETECTION WITH DEEP LEARNING”** in an International journal of analytical and experimental modal analysis, Volume:XII, Issue:V, PP:1-7, ISSN NO:0886-9367, May 2020.
  15. Mr.A.Siva Kumar, Asst.Prof., Mr.B.Jena, Asst.Prof., Mr.P.HarshaVardhan, Mr.I.HadasaPreethi, Mr.B.Sravan Kumar, Ms.B.Sangeetha IV/IV ECE-B has published a paper titled **“Implementation of Bicubical Interpolation for Detection of Alzheimer’s Disease”** in an International journal of Alochana Chakra, Volume:IX, Issue:V, PP:345-349, ISSN NO: 2231-3990, May 2020.
  16. Mr.A.Siva Kumar, Asst.Prof., Ms.B.DevaHarshitha, Mr.D.V.Guru Saran, Mr.Y.Raviteja and Mr.E.Manohar IV/IV ECE has published a paper titled **“Detection of Leg Fracture in X-Ray Images using Image Processing”** in an International journal of Alochana Chakra, Volume:IX, Issue:V, PP:338-344, ISSN NO: 2231-3990, May 2020.
  17. Mr.D.Anil Prasad, Asst.Prof., Mr.K.Nikhil and Mr.K.SriVihar Reddy IV/IV ECE has published a paper titled **“Realization of Single Precision Floating Point Multiplier Using Vedic Algorithm”** in an International journal of Alochana Chakra, Volume:IX, Issue:V, PP:338-344, ISSN NO: 326-337, May 2020.
  18. Ms.M.Nirmala, Asst.Prof., Ms.K.Ratnavathi, Mr.S.RiyazBasha, Mr.VSaisandeep and Mr.B.Suresh IV/IV ECE has published a paper titled **“Ultra Wide Band Antenna with Band Rejection Configurability for Wireless Applications”** in an International Journal of Innovative Research in Science, Engineering and Technology (IJIRSET), Volume 9, Issue 4, e-ISSN: 2319-8753, p-ISSN: 2320-6710, PP:2339-2343, April 2020.
  19. Dr.J.BhaskaraRao, Asst.Prof.,Dr.S.Srinivas, Assoc.Prof., Mr.E. KesavaRao, Mr.Ch Sai Kishore, Ms.P. Sandhya, and Mr.G. Pavan Kumar IV/IV ECE have published a paper titled **“Image Processing Techniques for Extraction of Serial Numbers on Currency Notes While Depositing in Cash Deposit Machine Using Python and Raspberry Pi”** Test Engineering and Management, Volume 83, ISSN: 0193-4120 Page No. 2396 – 2403, May – June 2020.
  20. Ms.B.Deepa, Asst.Prof., Mr.I.ArvindSastri, Ms.N. GayatriSamyuktha, Mr.M.Satish Raj and Ms.Y.Samyuktha Mary IV/IV ECE has published a paper titled **“Frequency Reconfigurable antenna using DGS”** in an International journal of analytical and experimental modal analysis, Volume: XII, Issue: V, PP:218-225, ISSN NO:0886-9367, May 2020.
  21. Ms.B.Deepa, Asst.Prof., Mr.B.Nikhil Krishna, Mr.G.J.Prakash, Ms.B.Amrutha and Ms.A.Lavanya IV/IV ECE has published a paper titled **“Frequency Reconfigurable antenna”** in an International journal of analytical and experimental modal analysis, Volume: XII, Issue: V, PP:593-597, ISSN NO:0886-9367, May 2020.
  22. Ms.K.Yashoda, Asst.Prof.,Ms.E.Mounika, Ms.G.Sahitya, Mr.K.EswarVenkat and Mr.K.Venkatesh IV/IV ECE has published a paper titled **“Identification of Brain Tumor and Classifying into High grade and low grade Glioma”** in an International Journal of Science & Engineering Development Research, Volume 5 Issue 5, ISSN NO:2455-2631, May-2020.
  23. Ms.M.Nirmala, Asst.Prof., Mr.ThanakalaMadanmohan, Ms.VennalaKeerthi, Mr.SambangiPrathap and Mr.MycharlaBhanuchandra IV/IV ECE has published a paper titled **“Vehicle Detection for Toll Collection Using Raspberry Pi 3”** in an International Journal of Information and Computational Science, Volume:10, Issue:5, PP: 243-251, ISSN: 1548-7741, May 2020.
  24. Mr.B.Jena, Asst.Prof., Ms.Ch.Mounika, Mr.V.Pradeep, Mr.V.revanth and Mr.B.Lokesh IV/IV ECE has published a paper titled **“Artificial Neural Networks based Human Expression recognition using HAAR Cascade Classifier and DCT features”** in an International journal of analytical and experimental modal analysis, Volume: XII, Issue: V, PP:505-510, ISSN NO:0886-9367, May 2020.
  25. Mr. B.ChandraMouli, Asst.Prof., Ms.MVasavi, Mr.PAvinash, Mr.K Raja and Mr.YSaiMahidhar IV/IV ECE has published a paper titled **“FACE AND GESTURE RECOGNITION USING “VIOLA AND JONES” METHOD FOR HOME SECURITY SYSTEM”** in an International Journal of Research and Analytical Reviews (IJRAR, Volume 7, Issue 2, PP: 259-261, May 2020.

26. Mr.B.ChandraMouli, Asst.Prof., Mr.R.ChandraSekhar, Asst.Prof., Mr.R.Siva Kumar, Mr.U.HimaKiran, Mr.B.Ganesh and Mr.V.ramaRao IV/IV ECE has published a paper titled **“Wi-Fi based Attendance System”** in an international Journal for Research in Applied Science & Engineering Technology (IJRASET), Volume 8, Issue V, PP:510-512, ISSN: 2321-9653, May 2020.
27. Dr.G.ManmdhaRao, Assoc.Prof., Ms.A.Keerthi, Mr.A.Sai Krishna, Ms.AfreenFirdaus and Mr.Ch.Lokesh IV/IV ECE has published a paper titled **“Rfid Based Smart Trolley for Automatic Billing System”** in an International Journal of Recent Technology and Engineering (IJRTE), Volume-9 Issue-1, ISSN: 2277-3878, DOI: 10.35940/ijreat.A2401.069520, pp:1593-1597, May 2020.
28. Dr.G.ManmdhaRao, Assoc.Prof., Ms.P.Sonia, Ms.Ch.Sirisha, Ms.M.Vandana, Mr.M.V.S.Teja and Mr.P. DurgaSrinivas IV/IV ECE has published a paper titled **“IOT based Home Automation using Raspberry pi”** in an International Journal of Innovative Technology and Exploring Engineering (IJITEE), Volume-9 Issue-7, ISSN: 2278-3075, DOI: 10.35940/ijitee.G5645.059720, PP: 695-698, May 2020.
29. Dr.B.SomaSekhar, Asso., Prof., Mr.Ch.Sai Kishore, Mr.D.Tarun Ram Sai, Ms.Ch.Asha, Ms.S.Manasa and Ms.C.Nalanda IV/IV ECE has published a paper titled **“Inter Carrier Interference Mitigation in Space Frequency Block”** in an international Journal of Advanced Science and Technology, Vol. 29, No. 9s, pp. 3305-3314, ISSN:2005-4238, May 2020.
30. Dr.S.Srinivas, Assoc.,Prof., ECE, Mr.R.Jayendra, Ms.M.Mounika and Mr.M.Siva IV/IV ECE has published a paper titled **“Implementation of low power cardiac based complex square root ”** in an International journal of Alochana Chakra, Volume:IX, Issue:V, PP:345-349, ISSN NO: 2111-2115, May 2020.
31. Dr.S.Srinivas, Assoc.,Prof., ECE, Ms.R.Sai Mani, Ms.MVS.Nikhila, Ms.G.Yeshwanth, Ms.M.SaiKiran and Mr.DVSN.Krishna IV/IV ECE has published a paper titled **“Implementation of cardiac based K-means clustering using MATLAB ”** in an International journal of Alochana Chakra, Volume:IX, Issue:V, PP:345-349, ISSN NO: 2106-2110, May 2020.
32. Dr.S.Srinivas, Assoc.,Prof., ECE, Mr.J.BhaskaraRao, Asst.Prof., ECE, Ms.A.SaiBhargavi, Mr.D.Kasivishwanadham, Mr.KP.Sai Ganesh and Ms.B.sowmya IV/IV ECE has published a paper titled **“Intelligent Crop monitoring and alerting Systems:Monitoring Drone”** in an International journal of Alochana Chakra, Volume:IX, Issue:V, PP:345-349, ISSN NO: 2116-2121, May 2020.
33. Ms.D.Nagamani, Asst.Prof., ECE, Mr.A.Dinesh Kumar, Mr.SidhdhardhPradhan, Mr.Y.Abhishek, Mr.DDNS.Abheedheer and Mr.Abdhulrehman IV/IV ECE has published a paper titled **“SAR IMAGE ENHANCEMENT USING WAVELET AND CURVELET TRANSFORM”** in an international Journal of Research and Analytical Reviews (IJRAR), Volume 7, Issue 2, PP: 255-258, May 2020.
34. Ms.D.Nagamani, Asst.Prof., ECE, Ms.PSM.Veena, Asst.Prof., ECE, Mr.SidhdhardhPradhan, Ms.M.Jyothsna and Ms.K.SaiSwapnika IV/IV ECE has published a paper titled **“Medical image fusion scheme Using Wavelet along with Curvelet Transform”** In an International Journal TEST, ENGINEERING & MANAGEMENT , Vol:83, ISSN: 0193-4120, PP: 22456 - 22463, April 2020.
35. Mr.Vijay Kumar Sahu, Asst.Prof., ECE, Ms.G.Madhavi, Mr.D.Yogesh Reddy, Mr.P.PraveenVarma and Mr.P.MadhuKiran IV/IV ECE has published a paper titled **“Design of Circular patch antenna with tapered feed for UWB Applications”** in an International journal of analytical and experimental modal analysis, Volume XII, Issue V, PP:683-689, ISSN NO:0886-9367, May 2020.
36. Ms.V.Shireesha, Asst.Prof., ECE, Mr.V.PavanKalyan, Mr.K.J.Manoj Kumar, Ms.K.Radhika and Mr.V.Raghav IV/IV ECE has published a paper titled **“DWT-SVD based Digital Video Watermarking”** in an International journal of analytical and experimental modal analysis, Volume XII, Issue V, PP:484-492, ISSN NO:0886-9367, May 2020.
37. Mr.VVK.Raju, Asst.Prof., ECE, Mr.S.Sagar, Ms.B.Divya, Ms.K.Madhulika and Mr.D.Sandeep IV/IV ECE has published a paper titled **“RETINAL IMAGE ANALYSIS FOR DIABETIC RETINOPATHY”** in an International journal of analytical and experimental modal analysis, Volume XII, Issue V, PP:449-454, ISSN NO:0886-9367, May 2020.
38. Mr.VVK.Raju, Asst.Prof., ECE, Ms.G.Gayatri, Asst.Prof., ECE, Mr.JSV.SaiKiran, Mr.S.SaiSrinivas, Mr.V.MohanSaiVamsi and Ms.M.AshaJyothi IV/IV ECE has published a paper titled **“FACIAL EMOTION RECOGNITION WITH DEEP LEARNING”** in an International journal of analytical and experimental modal analysis, Volume XII, Issue V, PP:129-134, ISSN NO:0886-9367, May 2020.
39. Ms.P.Chaya Devi, Asst.Prof., Ms.J.Swathi, Mr.D.ChandraMouli, Mr.L.SaitejaamMs.M.Kiranmayi IV/IV ECE has published a paper titled **“Dual Frequency Reconfigurable Antenna Using DGS”** in an international Alochana Chakra Journal, Volume IX,

Issue V, PP:2943-2948, ISSN NO:2231-3990, May 2020.

40. Ms.P.Chaya Devi, Asst.Prof., Ms.K.Gowri, Mr.N.Vamsi Ramakrishna, Mr.K.HaranadhaRao and Mr.P.Kishore IV/IV ECE has published a paper titled **“Data Processing Unit For Detection Of Paddy Diseases”** in an international Alochana Chakra Journal, Volume IX, Issue IV, PP:4793-4799, ISSN NO:2231-3990, April 2020.
41. Ms.K.Yashoda, Asst.Prof., ECE, Ms.E.Mounika, Ms.G.Sahitya, Mr.K.EswarVenkat and Mr.K.Venkatesh IV/IV ECE has published a paper titled **“Identification Of Brain Tumor And Classifying Into High Grade And Low Grade Glioma”** in an International Journal of Science & Engineering Development Research (www.ijedr.org), ISSN:2455-2631, Vol.5, Issue 5, page no.214 - 217, May-2020.
42. Mr.P. Devi Pradeep, Asst.Prof., ECE, Mr.P.Akhil, Ms.Ch. Shalini, Mr.G.S.P.M.ManoharRao and Mr.Ch.ViswaYadeeya IV/IV ECE has published a paper titled **“Insertion and Detection of Hardware Trojans using Side Channel Analysis”** in an international Alochana Chakra Journal, Volume IX, Issue IV, PP:4783-4792, ISSN NO:2231-3990, April 2020.
43. Ms.P.Devi, Asst.Prof., ECE, Ms.N.SaiHarshitha, Mr.B.DharmaPraneeth, Mr.S.Vinay Kumar and Mr.P.Sudheer Kumar IV/IV ECE has published a paper titled **“A Square Patch with L and Inverted L shaped slotted AMC structure for Wi-Fi Applications”** in an International Journal of Recent Technology and Engineering (IJRTE), Volume-9 Issue-1, PP:1722-1725, DOI:10.35940/ijrte.A2583.059120, May 2020.
44. Mr.R.Chandrasekhar, Asst.Prof., ECE Ms.G.Monika, Ms.V.S.Preeti, Ms.K.Sindhuja and Mr.S.PavanSrinivas Reddy IV/IV ECE has published a paper titled **“BER Analysis of NR-LDPC Decoding Algorithms for Next Generation Wireless Communications”** in an International Journal of Critical Reviews, VOL 7, ISSUE 05, ISSN- 2394-5125, May 2020.
45. Dr.V.Rajyalakshmi, HOD, Mr.B.ChandraMouli, Asst.Prof., Mr.Ch.Sai Kishore, Ms.A.Prathyusha and Mr.P.Sai Surya Srinivas IV/IV ECE has published a paper titled **“Over Speed and Alcohol Detection SMS Alert System”** in an international Journal TEST ENGINEERING & MANAGEMENT, Vol:83, PP:2329-2335, ISSN: 0193-4120, May-June 2020.
46. Mr.N. Ramkumar, Asst.Prof., Mr.K.S.V.Madhav, Mr.K. Karthik, Ms.S. Ruby and Mr.D. Mahesh IV/IV ECE has published a paper titled **“TCAD SIMULATION OF ALGAN/INALGAN/GAN HEMTS”** in an International Research Journal of

Modernization in Engineering Technology and Science, Volume:02, Issue:06, e-ISSN: 2582-5208, PP:1326-1332, June -2020.

#### STUDENT'S SPECIAL ACHIVMENTS

1. **Patent filed** for the invention titled **“Method and System for Avoidance of Accidents”** by Dr.V.Rajyalakshmi, HOD, Mr.B.ChandraMouli, Asst. Porof. & Ch. Sai Kishore Student on July 13, 2020.

#### WORKSHOP's/ SEMINAR's/ EVENT's ATTENDED BY STUDENTS

1. Ms.M.Hemaja, Ms.LaxmiPriya, Mr.A. Dinesh, Mr.Ch. R.VenkataSai, Mr.K.Kuasal, Mr.SS.Ravitaje, Ms.AbothuPasyanthi Padma Malini, Ms.M.NagaPijitha, Mr. SadanalaTanishqVenkataSatya, Mr.K.Sneka, Mr.K.Sahithi, Mr.M. Ashasumitra, Ms.P.Swarfnalatha, III/IV ECE & Mr.P.Y.Sriram, Mr.V.P.S.Srinivas, Mr.S.SaiVenkatesh, Mr.P.Hemanth Kumar, Mr.N.SaiSrinivas, Mr.M.Vikram, Mr.K.Rohit, Mr.D.D.SaiPrasanth, Mr.Ch.Rohit, Mr.B.Vinaykumar, Mr. A.Anilkumar II/IV ECE have attended in workshop titled **“Embedded systems using Raspberry Pi”** in the event Pravega'20 organized by IISc Bangalore during 1st & 2nd Feb 2020.
2. Mr.J.Sai Praveen and Mr.M.J.N.Sandeep III/IV ECE-A has participated in three day workshop on **“Ultrasonic testing workshop”** in the event Techfest organized by IIT Bombay during 3<sup>rd</sup> -5<sup>th</sup> January 2020.
3. Mr.M.Pranav, Mr. B SaiAkhilesh, Mr.M.S.S.Ganeshkarthikeya, Mr. S.SaiPradeep, Mr. K.Yashwanth Surya, Mr.A.S.S.Praveen, Mr.B.Nikhil, Mr.G.Rakesh, Mr.KVS Harish kumar, Mr. L.Sumanth, Mr. M.S.S.G.Karthikeya, Mr.Taj Nawaz, Mr.N.Santoshkumar, Mr. Achyuthvarma, Mr.P.Pramod, Mr.S.VV.SaiPradeep, Mr.V.Rohit, Mr.Puneeth, Mr.K.Yaswanth III/IV ECE have attended a workshop on **“WiFi & Computer Networking”** in Shastra 2020 organized by IIT Madras during 3th – 10th Jan 2020.
4. Mr.P.SaiKiran, Mr. P.V.S.Teja III/IV ECE have attended a workshop on **“Machine learning with Artificial Intelligence”** in Tech Byte organized by IIT Hyd during 28th & 29th Sept 2019.
5. Ms. K.Pavani III/IV ECE, **Mr.NSS.Charan, Mr.A.Hari Siva Ganesh, Mr.B.Lokesh, Mr.B.sai Siva Harsha, Mr.C.ManiVivek Sri Harsha, Mr.D.DurgaSandeep, Mr.R.N.S.Nikhil, Mr.Somasekhar, Mr.Tirupati,** Ms.J.Sarayu **Mr.Raghava II/IV ECE-A** and Mr. K.Pavani III/IV ECE has attended a workshop on **“Ethical Hacking with Cyber Security”** in Tech Byte organized by IIT Hyd during 28th & 29th Sept 2019.
6. Mr.Y.Pavan Kumar, Ms.D.SatyaSushma, Ms. V.Sravani, Ms. D. Vaishnavi, Ms. B.Pravallika, Mr.



ShaikShahid, Ms. B. Goutami, Mr. VVS.saikiran, Ms.P. Vathsalya, Ms. Jayachitra, Ms.M.Deepika III/IV ECE &Ms.S.Sreevalli II/IV ECE have attended a workshop on “**Humanoid Robotics with IOT**” inTech Byte organized by IIT Hyd during 28th & 29th Sept 2019.

7.Mr. K.Pavan, Mr.M.Jayaprakash III/IV ECE have participated in Artificial Intelligence workshop conducted by Techfest IIT Bombay during 3<sup>rd</sup> – 5<sup>th</sup> Jan 2020.

8.Ms.Ch. SatyavenkataSai, Mr.G.B.Harish III/IV has attended a 2 day workshop titled “ **Python programming**” Codemania at Vignan’s Institute of Information Technology, Vishakhapatnam.